



ViO80-7

COMPACT EQUIPMENT TRUE ZERO TAIL SWING MINI EXCAVATOR



*Some features shown may be optional or not available.



**

**True Zero Tail Swing not applicable with pictured additional counter weight option.

Leading efficiency and operator comfort.

Our ViO80-7 mini excavator is powered by a 67 HP Tier 4 Final YANMAR engine. The largest of our true zero tail swing excavators, the ViO80-7 goes where large conventional tail swing models can't and does so while providing unmatched machine performance. The ViO80-7 comes standard with 2-Pump Load Sensing hydraulic system (2PLS), directing hydraulic flow where it's most needed and allowing for higher speeds and maximum fuel efficiency. Plus, the ViO80-7's upgraded cab includes a more spacious operator area, a 7-inch color display, improved visibility, and more.

QUICK SPECS

Weight	Horsepower	Max Dig Depth
18,409 lbs	67 hp	14' 3"

INNOVATIVE FEATURES



True Zero Tail Swing

Yanmar introduced the world's first zero tail swing excavator in 1993. True zero tail swing technology means no part of the housing extends beyond the tracks, allowing you to work efficiently anywhere, with less damage to the machine and the worksite.



Leading Experience in the Cab

Work in comfort with a quieter and more spacious operator area outfitted with ergonomic controls and a 7-inch color display. Keep an eye on your surroundings with increased visibility from more glass area and standard side and rear cameras.

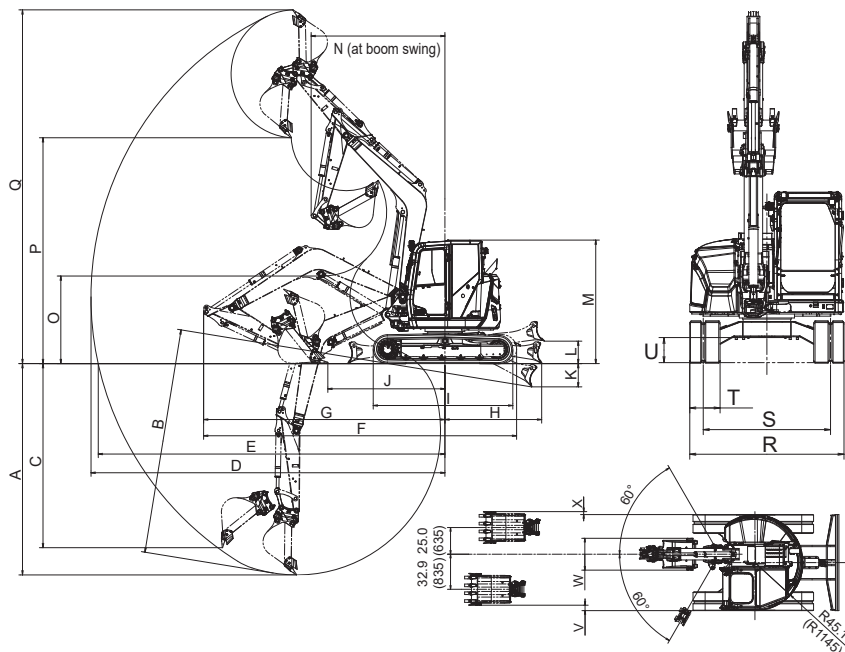


Efficient 2PLS Hydraulics

Take advantage of fuel savings with no sacrifice to power. Yanmar outfits the ViO80-7 with 2PLS hydraulics for a 13% reduction in fuel consumption combined with an extraordinary boost in machine performance, productivity and travel speeds.

Dimensions - ViO80-7

- A 14 ft. 4 in. (4,370 mm)
- B 15 ft. 2 in. (4,640 mm)
- C 12 ft. 6 in. (3,810 mm)
- D 23 ft. 11 in. (7,290 mm)
- E 24 ft. 3 in. (7,410 mm)
- F 21 ft. 1 in. (6,450 mm)
- G 16 ft. 3 in. (4,970 mm)
- H 6 ft. 7 in. (2,010 mm)
- I 9 ft. 4 in. (2,850 mm)
- J 7 ft. 10 in. (2,410 mm)
- K 1 ft. 7 in. (500 mm)
- L 1 ft. 5 in. (440 mm)
- M 8 ft. 4 in. (2,540 mm)
- N 9 ft. (2,750 mm)
- O 5 ft. 10 in. (1,780 mm)
- P 15 ft. 2 in. (4,630 mm)
- Q 23 ft. 9 in. (7,260 mm)
- R 7 ft. 5 in. (2,280 mm)
- S 6 ft. 2 in. (1,890 mm)
- T 1 ft. 6 in. (450 mm)
- U 1 ft. 1 in. (350 mm)
- V 2 ft. 8 in. (835 mm)
- W 2 ft. 1 in. (635 mm)
- X 4 in. (125 mm)



Specifications

Model		ViO80-7	
Type		Cab. Rubber Track	Cab. Steel Track
Operating Weight		lbs (t)	18,409 (8.3) / 18,453 (8.4)
Engine	Type	Vertical water-cooled 4-cylinder diesel	
	Model	YANMAR 4TNV98CT-VBV2	
	Rated Output	HP (kW)/rpm	67.1 (50.0) / 1800
Performance	Max Digging Force, Bucket / Arm	lbs (kN)	10,813 (48.1) / 8,093 (36.0)
	Traveling Speed, High / Low	MPH (km / h)	2.9 (4.8) / 1.6 (2.5) / 2.8 (4.5) / 1.4 (2.3)
	Swing Speed	RPM	9.0
	Boom Swing Angle, (L / R)	degrees	60° / 60°
	Gradability	degrees	25°
Ground Contact Pressure (Rubber Track)		PSI (kPa)	5.3 (36.3) / 5.3 (36.6)
Hydraulic System	Pump Capacity	GPM (L / min)	29.46 (111.5) x 2 (variable) · 4.5 (17.0) x 1 (gear)
	Main Relief Set Pressure	PSI (MPa)	3,989 (27.5) x 2 / 493 (3.4) x 1
Blade Dimensions	Width x Height	ft-in (mm)	7' 5" (2,290) x 1' 5" (450)
	Working Area of Blade (Upper/Lower)	ft-in (mm)	14" (440) / 1'6" (500)
Fuel tank capacity		Gals (L)	30.9 (117)

Standard Equipment

- Double Lock Quick Coupler
- Blade with Float
- Boom Swing Function
- Rubber Tracks
- Flow Selector Valve on AUX1 Circuit
- Antenna and Pre-wired for Radio
- Right Side and Rear View Cameras
- 4-Way Multi Pattern Control
- LCD Passcode Function
- Windshield Washer
- Air Conditioner
- Defroster
- Joystick Pilot Controls
- Arm Rests (Adjustable)
- Suspension and Reclining Seat
- Seat Belt
- Proportional Auxiliary Controls
- Automatic 2-Speed Travel
- Auto Deceleration Switch
- Eco Mode Switch
- Engine Stop Switch
- Traveling Alarm
- Floor Mats

Please note that the standard equipment may vary from this list. Consult your YANMAR dealer for confirmation.

Hydraulic PTO

Model		ViO80-7	
		GPM (L / min)	
Specification	Output	AUX1 1800RPM	AUX2 1800RPM
		Combined Flow, Double Actions	26.4 (100)

Lifting Capacity

LIFT POINT HEIGHT in (mm)	(R) LIFT RADIUS in (mm)											
	RATED LIFT CAPACITY OVER END BLADE DOWN lbs (kg)				RATED LIFT CAPACITY OVER END BLADE UP lbs (kg)				RATED LIFT CAPACITY OVER SIDE BLADE UP lbs (kg)			
	MAX	196.9 (5000)	157.1 (4000)	118.1 (3000)	MAX	196.9 (5000)	157.1 (4000)	118.1 (3000)	MAX	196.9 (5000)	157.1 (4000)	118.1 (3000)
196.9 (5000)	4,321 (1,961)		4,211 (1,910)		4,167 (1,890)		4,123 (1,870)		3,505 (1,590)		4,167 (1,890)	
157.5 (4000)	4,145 (1,880)	4,101 (1,860)	4,211 (1,910)		2,712 (1,230)	2,910 (1,320)	4,123 (1,870)		2,601 (1,180)	2,800 (1,270)	4,145 (1,880)	
118.1 (3000)	4,123 (1,870)	4,299 (1,950)	4,850 (2,200)	6,151 (2,790)	2,337 (1,060)	2,844 (1,290)	4,652 (2,110)	6,041 (2,740)	2,249 (1,020)	2,712 (1,230)	3,836 (1,740)	6,085 (2,760)
78.7 (2000)	4,189 (1,900)	4,696 (2,130)	5,798 (2,630)	8,289 (3,760)	2,138 (970)	2,734 (1,240)	3,792 (1,720)	5,600 (2,540)	2,050 (930)	2,601 (1,180)	3,616 (1,640)	5,269 (2,390)
39.4 (1000)	4,255 (1,930)	5,026 (2,280)	6,570 (2,980)	9,237 (4,190)	2,072 (940)	2,623 (1,190)	3,549 (1,610)	5,115 (2,320)	2,006 (910)	2,491 (1,130)	3,373 (1,530)	4,762 (2,160)
Ground (0)	4,277 (1,940)	5,159 (2,340)	6,768 (3,070)	9,392 (4,260)	2,138 (970)	2,557 (1,160)	3,461 (1,570)	5,159 (2,340)	2,050 (930)	2,447 (1,110)	3,263 (1,480)	4,762 (2,160)
-39.4 (-1000)	4,277 (1,940)	4,784 (2,170)	6,437 (2,920)	8,664 (3,930)	2,381 (1,080)	2,557 (1,160)	3,461 (1,570)	5,181 (2,350)	2,293 (1,040)	2,447 (1,110)	3,285 (1,490)	4,850 (2,200)
-78.7 (-2000)	4,101 (1,860)		5,247 (2,380)	7,099 (3,220)	2,932 (1,330)		3,527 (1,600)	5,423 (2,460)	2,822 (1,280)		3,373 (1,530)	5,026 (2,280)

Find more information on the ViO80-7 at YanmarCE.com.